

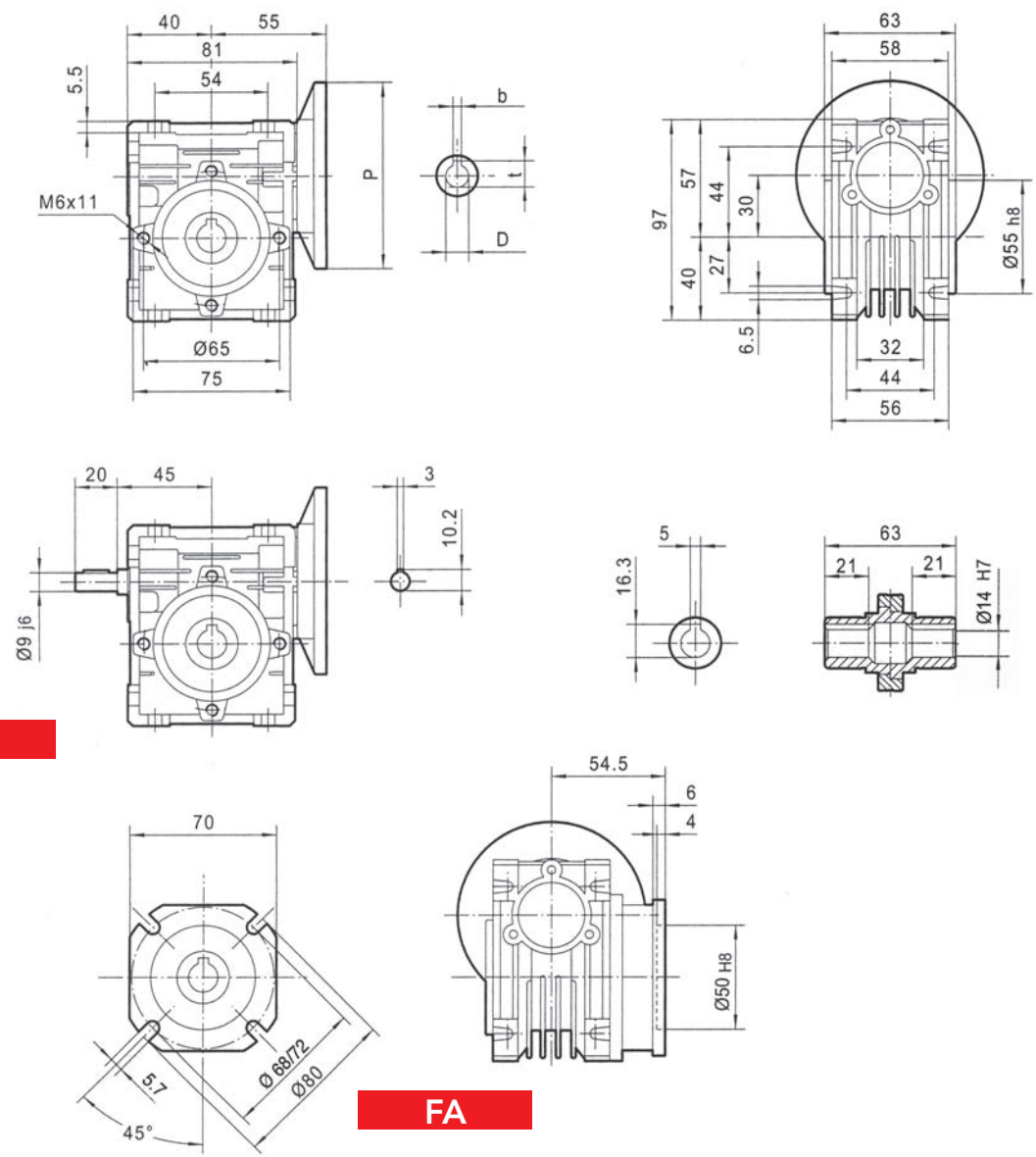


CHM 030 - PERFORMANCE WITH 4-POLE MOTORS 1400 REVS. INPUT

CHM 030

TYPE	i=ratio	n2 r/min	Kw=P1	Nm=T2	f.s.	Possible types of motor connections	
	7.5	186.7	0.22	9	2.1	63/56	B5/B14
	10	140.0	0.22	11	1.6	63/56	B5/B14
	15	93.3	0.22	16	1.0	63/56	B5/B14
	20	70.0	0.22	20	0.9	63/56	B5/B14
	25	56.0	0.18	20	1.0	63/56	B5/B14
	30	46.7	0.18	22	0.9	63/56	B5/B14
	40	35.0	0.18	21	0.8	63/56	B5/B14
	50	28.0	0.18	19	0.8	63/56	B5/B14
	60	23.3	0.09	18	0.9	56	B5/B14
	80	17.5	0.09	13	0.9	56	B5/B14

DIMENSIONS



E

FA

Weight 1.2 Kg excluding motor

PAM IEC	P	DE8	b	t
63B5	140	11	4	12.8
56B5	120	9	3	10.4

PAM IEC	P	DE8	b	t
63B14	90	11	4	12.8
56B14	80	9	3	10.4